



■ Features

- Input voltage: 90-305VAC.
- Built-in active PFC function: 0.99 Typ.
- Low THD: 10% Typ.
- High efficiency: 93% Typ.
- IP67 design for indoor or outdoor installations.
- High surge immunity
- Compliance to worldwide safety regulations for lighting.
- Suitable for dry/damp locations.
- 5 Years Warranty .



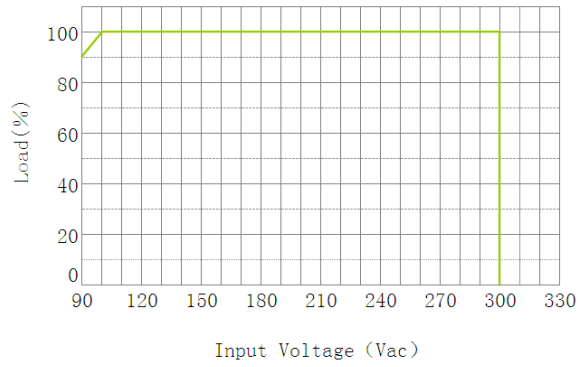
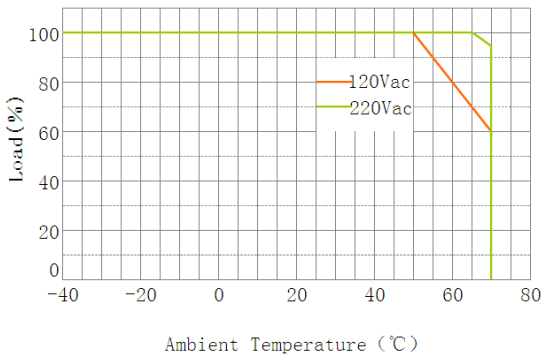
■ Specification

Model		035	045	053	070	105	140	175	210	245	280	315	350	420	500	
(MU150AXXXAQ)																
Input	Efficiency (Typ.)110VAC	90.0%	90.0%	90.0%	90.0%	89.0%	89.0%	89.0%	89.0%	89.0%	89.0%	88.0%	88.0%	88.0%	88.0%	
	Efficiency (Typ.)220VAC	93.0%	93.0%	93.0%	93.0%	92.0%	92.0%	92.0%	92.0%	92.0%	92.0%	91.0%	91.0%	91.0%	91.0%	
	Voltage Range (VAC)	90-305														
	Frequency Range (Hz)	47-63														
	Power Factor(Typ.)	0.99 (Typical) , >0.90 at 100-277VAC input, 70%-100% load														
	THD(Typ.)	<10% at 220VAC input 50Hz, 70%-100% load, <15% at 110VAC and 277VAC input 60Hz, 70%-100% load,														
	AC Current(MAX.)	1.8A at 110VAC , 0.9A MAX at 220VAC														
	Inrush Current(MAX.)	65A (25°C , at 230VAC , cold start)														
	Leakage Current(MAX.)	1mA at 277VAC 50Hz input														
Output	DC Voltage (V)	428	333	283	214	142	107	85	71	61	53	48	42	36	30	
	Rated Current(mA)	350	450	530	700	1050	1400	1750	2100	2450	2800	3150	3500	4200	5000	
	Rated Power (W)	149.8	149.9	150.0	149.8	149.1	149.8	148.8	149.1	149.5	148.4	151.2	147.0	151.2	150.0	
	Ripple&Noise (Vp-p)	12.84	9.99	8.49	6.42	4.26	3.21	2.55	2.13	1.83	1.59	1.44	1.26	1.08	0.9	
	Voltage ADJ. Range(V)	214-428	167-333	142-283	107-214	71-142	54-107	43-85	36-71	31-61	27-53	24-48	21-42	18-36	15-30	
	Current Tolerance ^{Note.1}	±5%	±5%	±5%	±5%	±5%	±5%	±5%	±5%	±5%	±5%	±5%	±5%	±5%	±5%	
	Line Regulation	±1%	±1%	±1%	±1%	±1%	±1%	±1%	±1%	±1%	±1%	±1%	±1%	±1%	±1%	
	Load Regulation	±3%	±3%	±3%	±3%	±3%	±3%	±3%	±3%	±3%	±3%	±3%	±3%	±3%	±3%	
	Setup, Rise Time	1.2s max, measured at 120VAC input; 1s max, measured at 220VAC input														
	Hold Up Time	10ms at 220VAC 100% load														
	Protection	Over Voltage(V)(Typ.)	578	450	382	289	192	144	115	96	82	72	65	57	49	41
Short Circuit		Hiccup mode.The power supply shall be self-recovery when the fault is removed.														
Over Temperature		Protection type : Decrease output current . When TC reaches 110±10°C , the output current decrease to 50% rate value until the TC reaches 75±10°C														
Environment	Working Temp.	-40~+70°C, refer to the derating curve for detail														
	Working Humidity	5~100%RH, non-condensing														
	Storage Temp., Humidity	-40~+85°C , 5%-100%RH														
	Vibration	10-500Hz, 5G 12min/cycle, period for 72min each along X、 Y、 Z axes														
Safety & EMC	Safety Standard	UL8750, UL1012, CAN/CSA-C22.2No.107.1-01,EN61347-1, EN61347-2-13														
	Withstand Voltage	I/P-O/P:3.75KVAC I/P-FG:1.875KV O/P-FG:1.5KV														
	Isolation Resistance	I/P-O/P,I/P-FG,O/P-FG:100M Ohms/500VDC/25°C/70%RH														
	EMC Emission	EN55015/FCC Part 15 Class B , EN61000-3-2 Class C , EN61000-3-3														
	EMC Immunity	EN61000-4-2,3,4,5,6,8,11 , EN61547 (Surge L,N-FG 6KV , L-N 4KV)														
Others	MTBF	300,000 hours, measured at full load, 25°C ambient temperature, 80% Load ,MIL-HDBK-217F														
	Dimension	221 x 67.5 x 40 mm (LxWxH)														
	Weight	1.05kg														

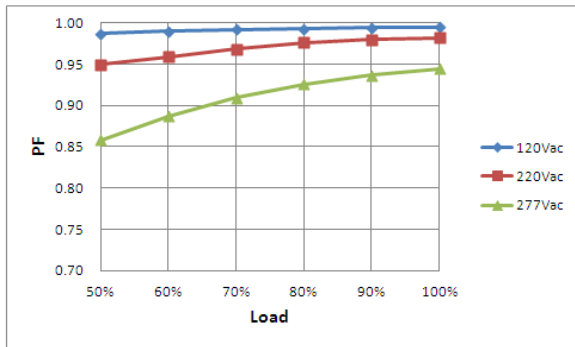
Note.1: Includes set up tolerance, line regulation and load regulation.

■ Test Curve

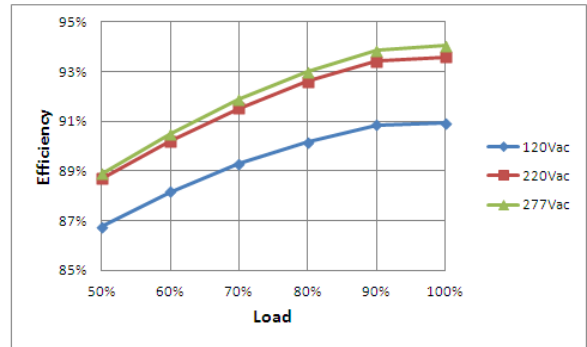
Derating Curve



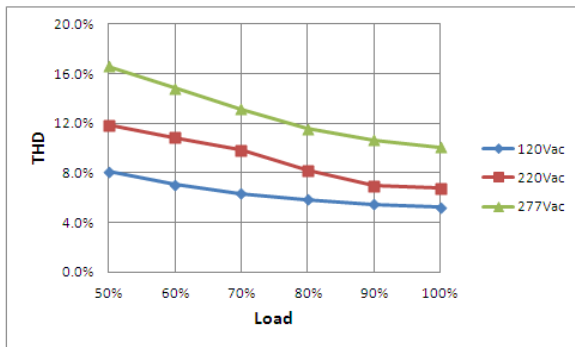
Power Factor Curve



Efficiency VS. Load Curve(Model:700mA)

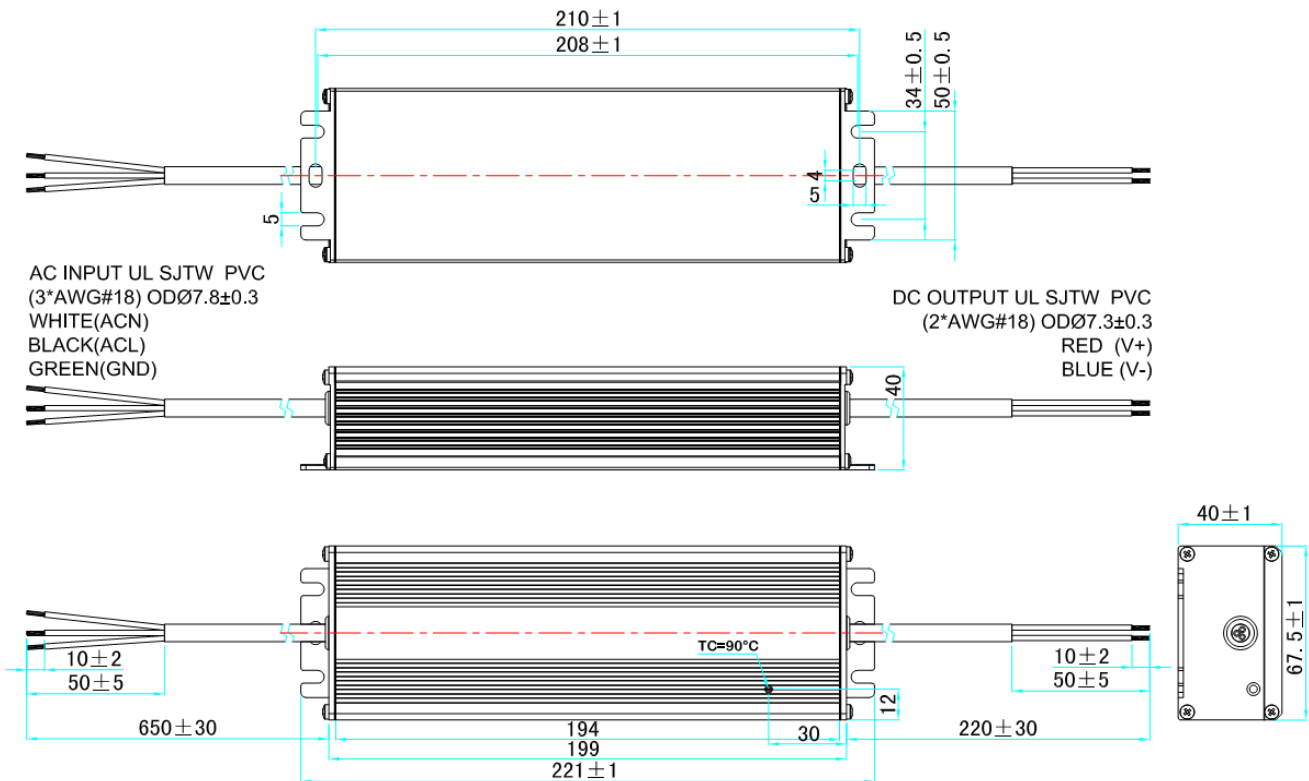


THD Curve



■ Mechanical Specification

Dimensions(Unit:mm)



RoHS Compliance:

Our products comply with the European Directive 2002/95/EC, calling for the elimination of lead and other hazardous substances from electronic products.